



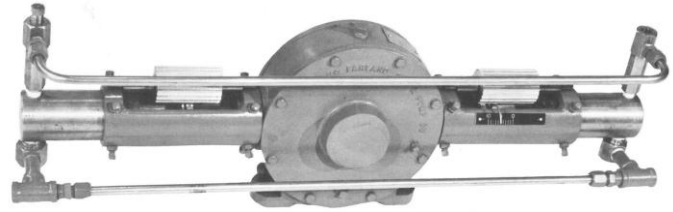
McFarland – TriTan, LLC
 The “High Pressure” Specialists!

Series MAC P-15

**High Pressure
 Chemical Injection Pump**

API 675 Compliant

Pressure up to 30,000 PSI | Capacity up to 27,762 GPD



Plunger Size(in)	Number of Heads	* Volume – Gallons			Operating Pressure	Speed Strokes/Min
		Minute	Hour	Day		
1/4"	1	0.050	3.01	72	30,000	**(10:1) 175
	3	0.151	9.03	217	30,000	
	6	0.301	18.07	434	30,000	
3/8"	1	0.113	6.77	163	13,500	
	3	0.339	20.32	488	13,500	
	6	0.677	40.64	975	13,500	
1/2"	1	0.200	12.05	289	7,500	
	3	0.602	36.15	867	7,500	
	6	1.205	72.30	1735	7,500	
5/8"	1	0.314	18.83	452	5,000	
	3	0.941	56.49	1355	5,000	
	6	1.883	113	2710	5,000	
3/4"	1	0.452	27.11	650	3,500	
	3	1.355	81.33	1952	3,500	
	6	2.702	162.7	3903	3,500	
1"	1	0.803	48.19	1157	2,000	
	3	2.409	144.5	3470	2,000	
	6	4.819	289.1	6940	2,000	
1 1/4"	1	1.255	75.30	1807	1,200	
	3	3.765	226	5421	1,200	
	6	7.530	451.8	10842	1,200	
1 1/2"	1	1.807	108.4	2603	800	
	3	5.421	325.2	7809	800	
	6	10.842	650.4	15618	800	
2"	1	3.213	192.8	4627	500	
	3	9.639	578.4	13881	500	
	6	19.278	1,1156.8	27762	500	

Features

- * Designed for High Pressure Chemical Injection applications.
- * Available in a variety of fluid ends
- * Features independently adjustable fluid ends
- * Manually adjustable while running
- * API 675 Compliant
- * Can be Supplied with up to (12) Fluid Ends on One Driver.
- * Shipping cube 4.5 ft.
- * Weight without Base (Pump only)
 - 60 lbs. (One fluid end)
 - 77 lbs. (Two fluid ends)
 - 105 lbs. (Three fluid ends)
 - 251 lbs. (Six fluid ends)

* Volume based on 90% theoretical maximum ** Other ratios available

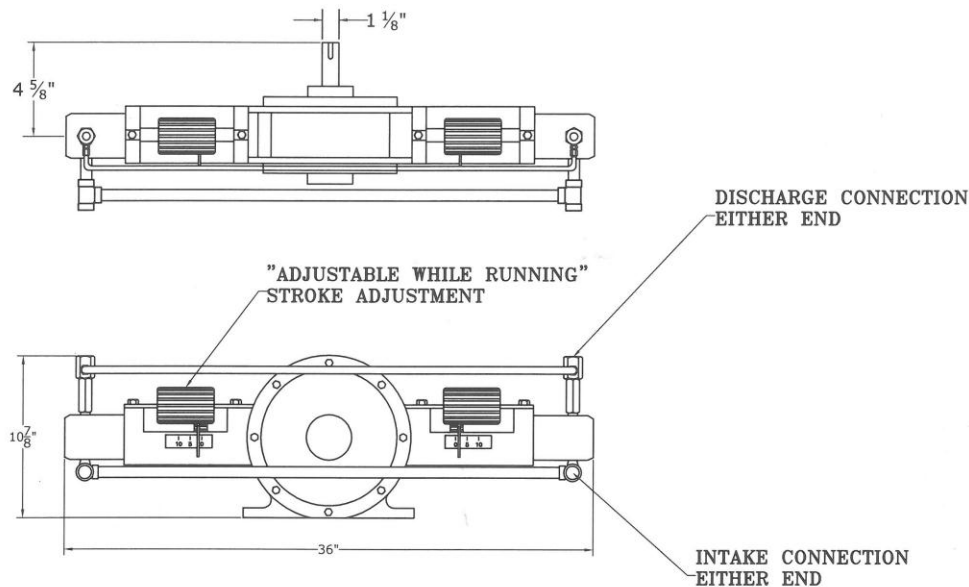
921 Seaco Court, Deer Park, TX 77536, USA
 Email: sales@mcfarlandpump.com

Tel: 1-713-864-3366 /
www.mcfarlandpump.com

Fax: 1-713-864-3252
www.mcfarlandpumpgroup.com

Series MAC P – 15

High Pressure Chemical Injection Pump



SPECIFICATIONS

* Max Plunger Size 2"

* Double Volume with two Fluid Ends

* Stroke Length: 1 1/2"

* Cycles / min. adjustable to: 100 cpm

* Temperature Limit: - 20° to 140 °F

Materials of Construction

- * Fluid end – Carbon steel
- * Plunger – Stainless steel 17-4ph
- * Packing – BUNA "N"
- * Power body – Cast aluminum.
- * Mani folding – Carbon steel, St.St (Optional)
- * Check Valves- Stainless steel
- * Drive System – Stainless Steel / Brass
- * Base Plate – Fabricated Steel

Standard & Optional Equipment

- * Base plate / skid base (Optional)
- * Intake / Discharge Check Valves
- * Complete hydro test or chemical injection packages built to customer requirements (optional) .



McFarland – TriTan, LLC
921 Seaco Court, Deer Park, TX 77536
Tel :1-713-864-3366 | Fax : 1-713-864-3252
Email: sales@mcfarlandpump.com
www.mcfarlandpump.com



921 Seaco Court, Deer Park, TX 77536, USA
Email: sales@mcfarlandpump.com

Tel: 1-713-864-3366 /
www.mcfarlandpump.com

Fax: 1-713-864-3252
www.mcfarlandpumpgroup.com