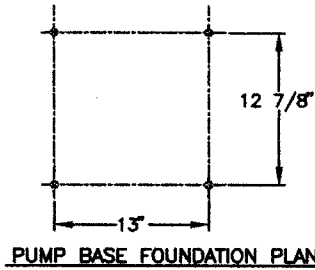
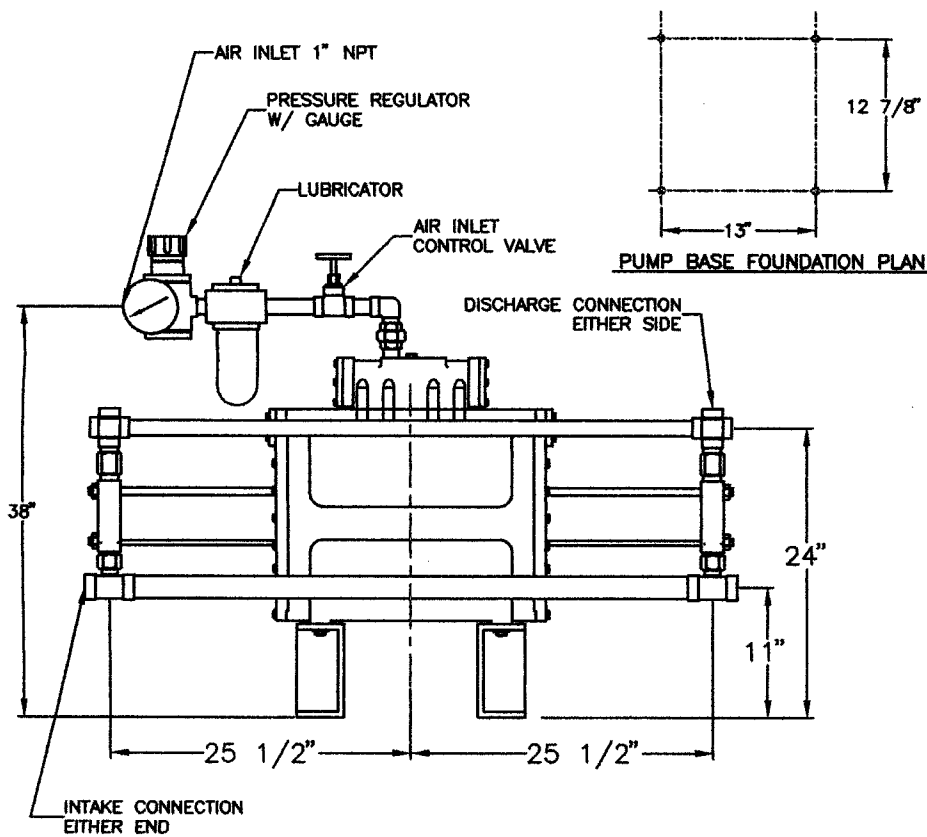


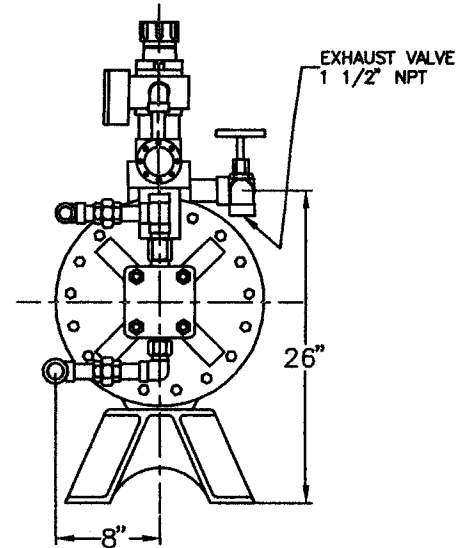
MAC 14

General Specifications



INTAKE AND DISCHARGE CONNECTIONS			
PLUNGER SIZE	INTAKE	DISCHARGE	AIR INLET
7/8" - 1"	1 1/2" NPT	9/16" AC	1" NPT
1 1/4"	1 1/2" NPT	1" NPT	1" NPT
1 1/2" - 4"	1 1/2" NPT	1" NPT	1" NPT

* CONNECTION SIZES MAY VARY SLIGHTLY



PUMP SPECIFICATIONS

POWER PISTON SIZE: 14"
 STROKE LENGTH: 4 1/2"
 CYCLES/MIN ADJUSTABLE TO: 60
 MAX INPUT PRESSURE: 100 PSI
 POWER GAS MAX CONS: 385 SCFM
 TEMPERATURE LIMITS: -20 TO 140°F

STANDARD EQUIPMENT

AIR/GAS PRESSURE REGULATOR
 AIR/GAS PRESSURE GAUGE
 AIR/GAS LUBRICATOR
 AIR/GAS CONTROL VALVE
 FOOT MOUNT

OPTIONAL EQUIPMENT

SKID BASE, GUARD RAIL, LIFTING EYES, CASTERS,
 PULL TONGUE
 SPECIAL COATING SYSTEMS
 SOUR GAS MODIFICATIONS
 COMPLETE HYDROTEST AND CHEMICAL INJECTION
 PACKAGES

MATERIALS OF CONSTRUCTION

STANDARD

FLUID END - CARBON STEEL
 PLUNGER - 17-4PH
 PACKING - BUNA 'N'
 POWER BODY - CAST ALUMINUM
 AIR VALVE CORE - BRASS
 AIR VALVE HOUSING - ALUMINUM
 CHECK VALVES - STAINLESS STEEL
 MANIFOLDING - CARBON STEEL

OPTIONAL

FLUID END - STAINLESS STEEL
 PACKING - FOR APPLICATION
 AIR VALVE CORE - NON METALLIC
 MANIFOLDING - STAINLESS STEEL